

Flame Safeguard

Quanta Flame 5004-M-110

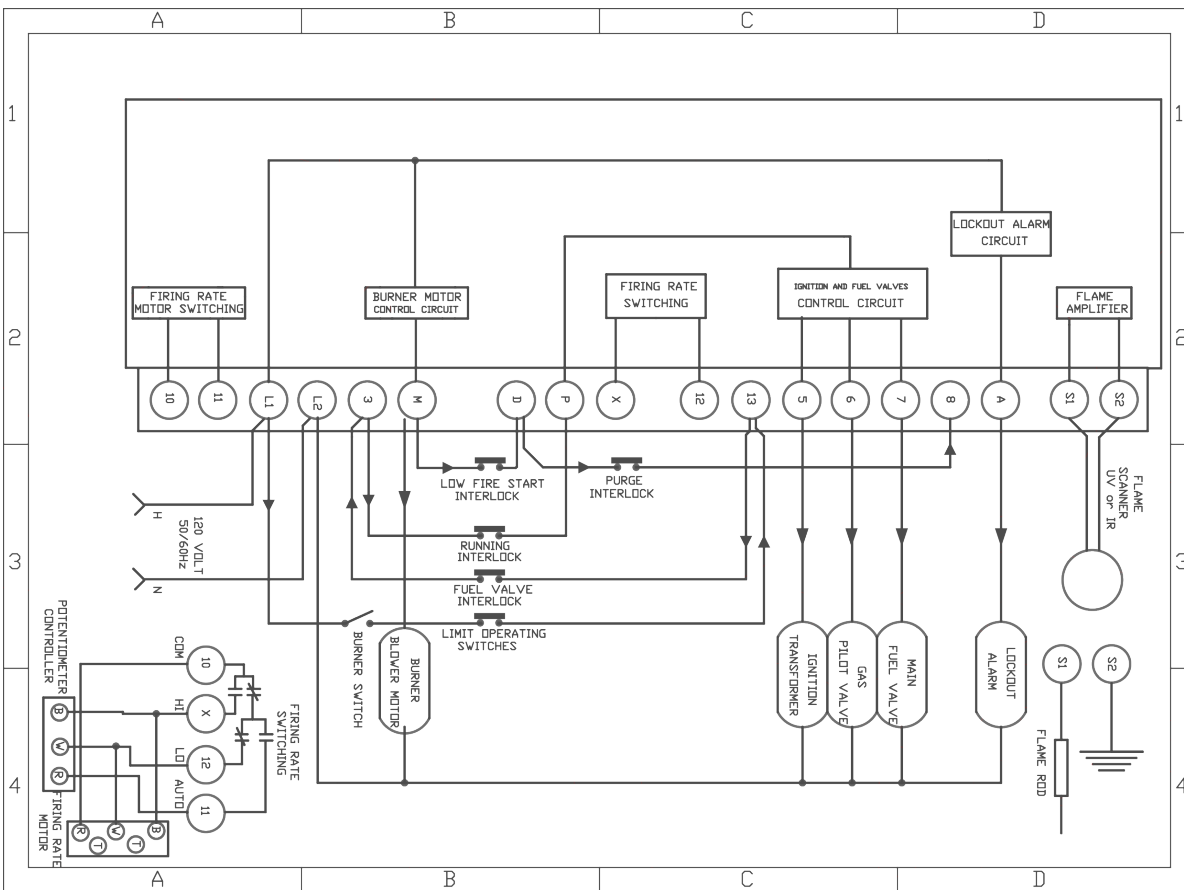
Introduction

The 5004-M-110 flame safeguard is a direct replacement for most E-110 flame safeguard controllers. It is specifically designed to mount into existing 60-1386-2 and 60-1466-2 wiring sub bases.

The 5004-M-110 control includes an integrated program module and flame sensor amplifier. Scanner type, purge, and trial for ignition timing are made via dipswitches or jumper selections.



Quanta Flame 5004-M-110



Typical Wiring

UL #E233069



Features

Flame Safeguard

Quanta Flame 5004-M-110

- Compatible to Fireye E110 Control & Sensors
- Local LCD Display for Status and Troubleshooting
- Sequence Status Lights
- Jacks for direct flame strength measurement 0-5VDC
- Low Profile
- Field-selectable dipswitches for: pre-purge time, response to a power failure, trial for ignition time, check for trip interlock short.
- Field-selectable jumper selectable for: FR/IR/UV Sensors
- Early Spark Termination
- History Log-Up to 6 lockouts with stamped time
- Reset History Log and Running Timer
- Burner Modulation Actuator Sequencing
- Pilot Test Mode
- Running Timer when Limits are open HHHH:MM:SS
- RS 485 Modbus Communication
- Every unit interfaces to infrared, ultraviolet, or flame rod sensors. Sensor specific plug-in amplifiers are not required
- Remote/Local Reset from Lockout State
- Optional 16 Point Annunciator
- Optional Remote Panel Mount LCD Display
- Accepts PI Self Check Scanner(5002-01) without the need to change an amplifier
- Limited 3-year warranty
- UL #E233069



You may also be interested in...

Quanta Flame
5004-M-78 and 5004-M-85



MANUFACTURED BY

PREFERRED
UTILITIES MFG CORPORATION

31-35 South Street, Danbury CT 06810
T: (203) 743-6741 F: (203) 798-7313
www.PREFERRED-MFG.com

